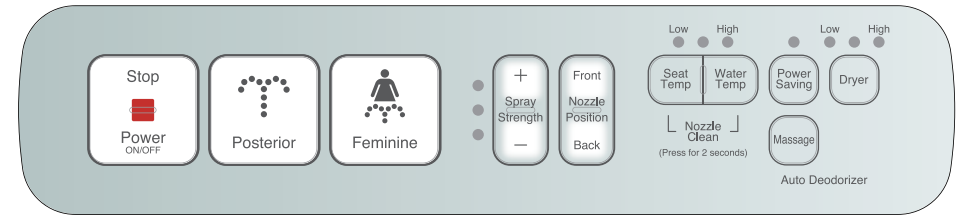
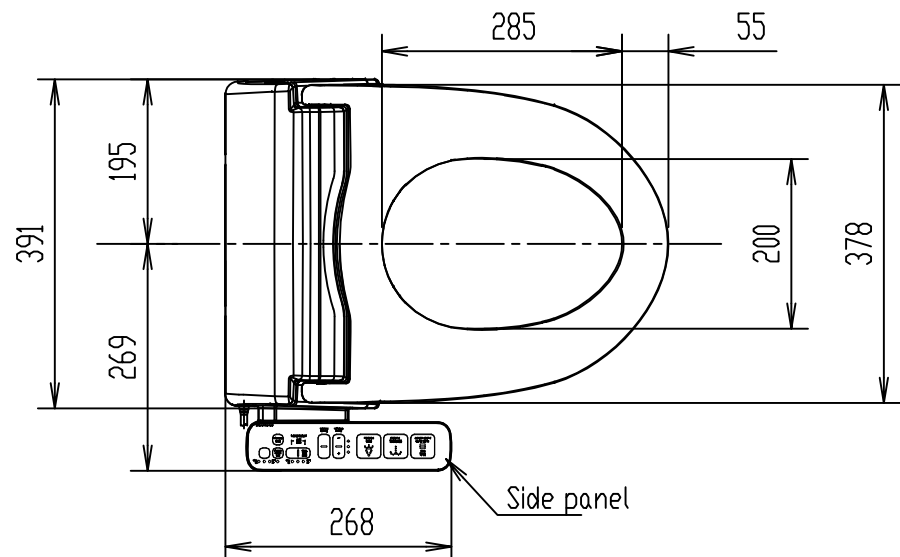
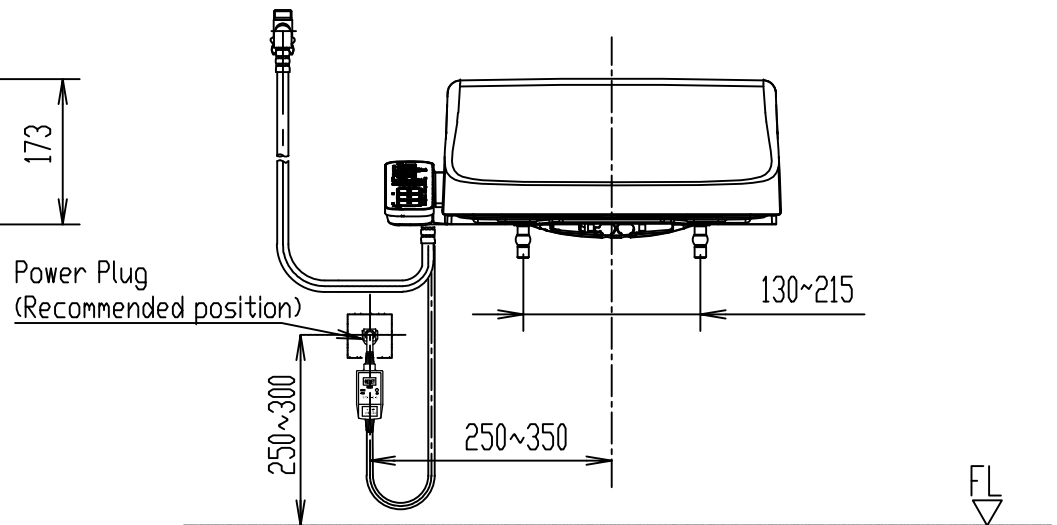
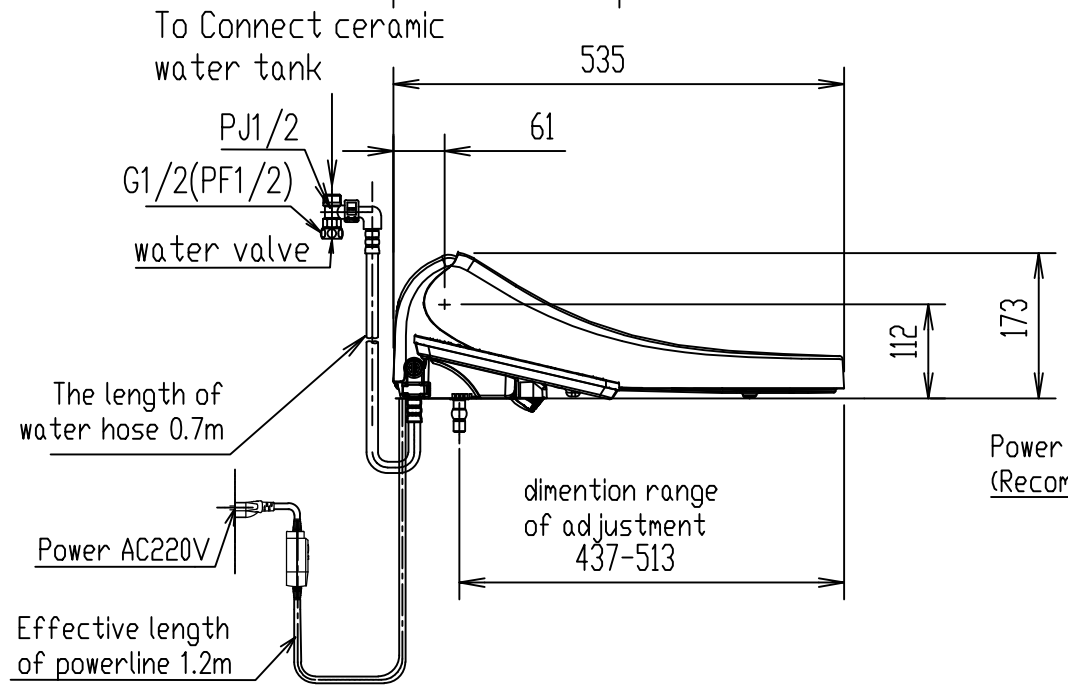


Product Code
Approved
Check
Design

Date	Drawn	Information Code	No.	Content



Enlarged view of Side panel



注記 2. Low occasions without leakage protector
 1.High, middle occasions with leakage protector,

Material	AS long size				NO.	1
Special treatment	50+ E-BIDET (Asean)					
Scale	Design	Check	Approved	Date	2016.01.11	Part NO
1:1	吴	罗	井上			

株式会社 LIXIL